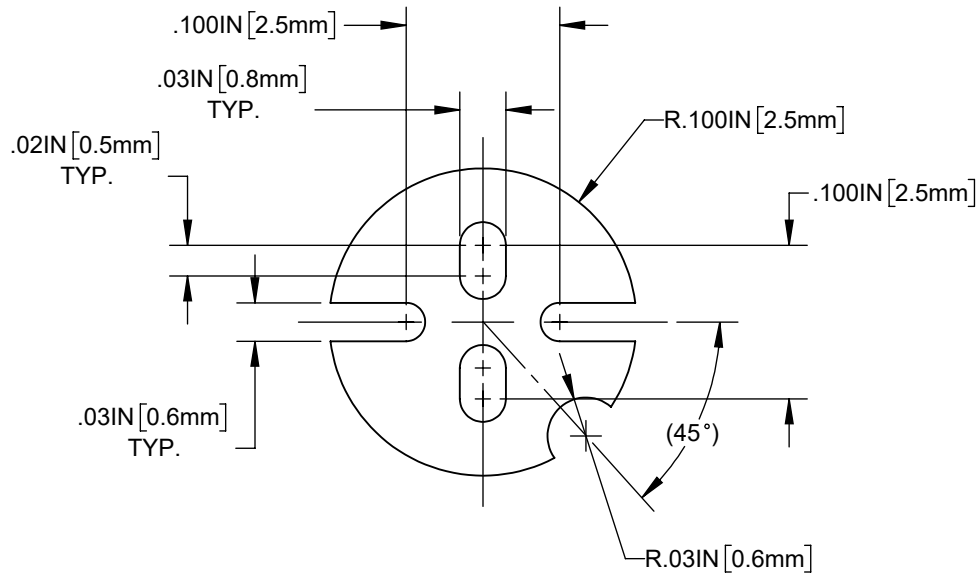


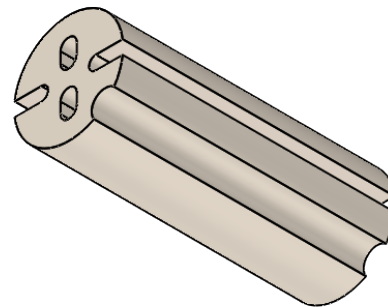
NOTES:

1. MATERIAL: PVC ALLOY, 94V-0, NATURAL.
2. TOLERANCE "L" DIMENSIONS:  
.030 ~ .500 inch +/- .005 (1.0 ~ 12.7mm +/- 0.1mm)


| REVISIONS |  |            |          |
|-----------|--|------------|----------|
| REV.      | DESCRIPTION                              | DATE       | APPROVED |
| A         | ENGINEERING RELEASE                      | 01/03/2022 | ATV      |
| B         | ECO-1133-CHG DIM, COLOR & MAX LENGTH     | 5/18/22    | ATV      |
| C         | ECO-1141, RE-DESIGN, ORIENTATION FEATURE | 7/15/2022  | ATV      |
| D         | ECO-XXXX, RE-DESIGN FOR MFG CONV.        | 9/14/2022  | ATV      |
| E         | REMOVED SLOTS FROM MODEL                 | 9/21/2022  | A.V.     |
| E1        | CHG DWG TITLE, CORR DATE                 | 12/1/2022  | A.V.     |



|   |
|---|
| L |
|   |
|   |
|   |
|   |
|   |



**CUSTOMER USE DRAWING**

|  |                     |   |                     |
|--|---------------------|---|---------------------|
| STANDARD TOLERANCE<br>(UNLESS OTHERWISE SPECIFIED) |                     | <br>4 THOMAS, IRVINE, CA. 92618<br>TEL: (949) 951-8808 FAX: (949) 951-3974 |                     |
| DECIMALS   | ANGULAR             |   |                     |
| .X ± .1  | X° ± 1°             | TITLE: EXTRUDED LED MOUNT,<br>SELF-RETAINING WITH POLARITY IDENTIFIER   |                     |
| .XX ± .01  |                     |   |                     |
| .XXX ± .005  |                     |   |                     |
| DESIGNED:<br>A.VALDEZ                              | DATE:<br>04/07/2022 | DRAWING NO:<br>ELM 1-XXXX   | REVISION:<br>E      |
| REVISED:<br>M. PAGDONSOLAN                         | DATE:<br>12/1/2022  | SHEET SIZE<br>A   | CAGE CODE:<br>32559 |
| CHECKED:<br>A.VALDEZ                               | DATE:<br>12/1/2022  | SCALE: 8:1  | SHEET # 1 OF 1      |